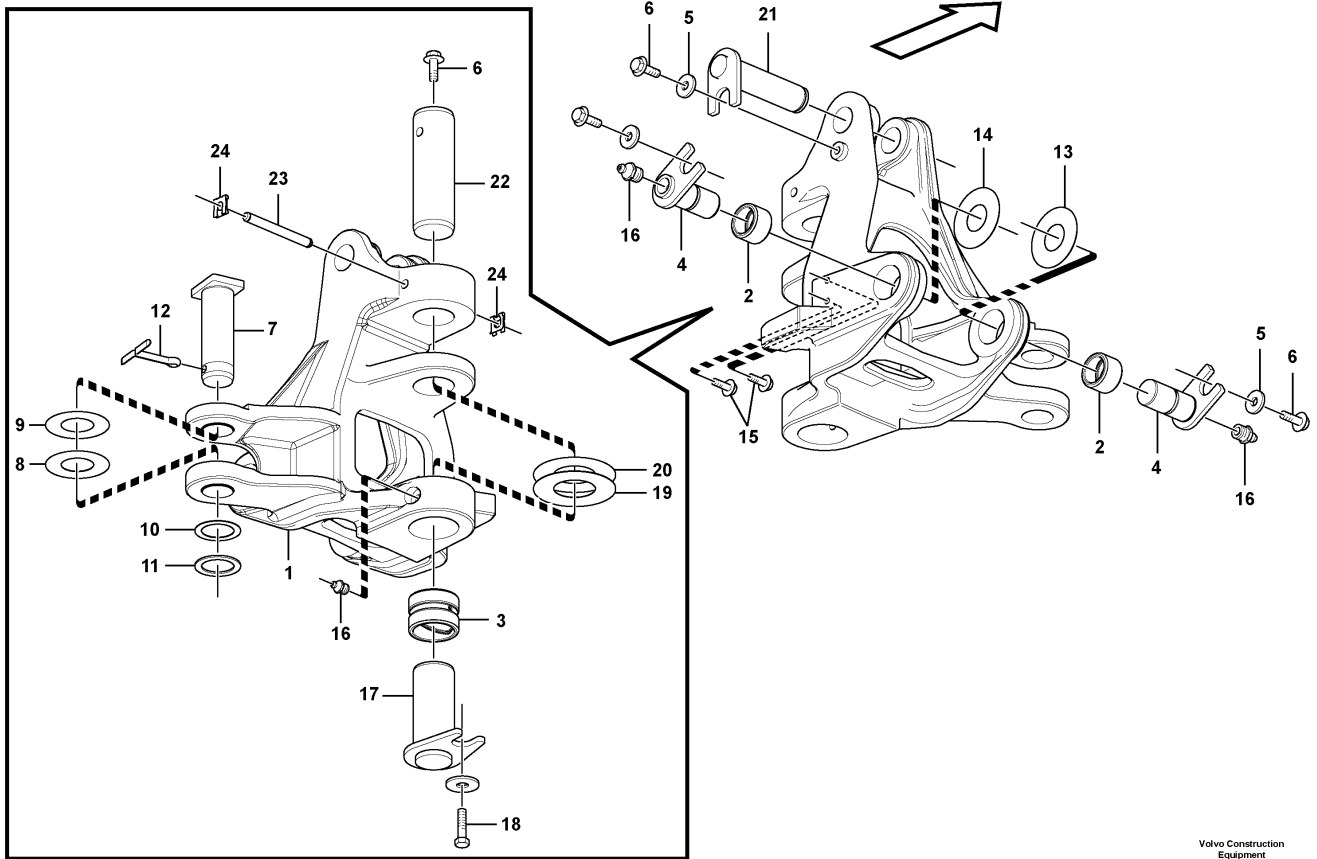


### Construction Equipment

Date: <b>21/05/2021</b>	Image id: <b>1063910</b>	Catalogue: <b>20569</b>	Model: <b>EC18C</b>
Brand: <b>Volvo</b>	Serial: <b>1839-3898</b>	Group/Section: <b>971/100</b>	Title: <b>Pivot pin</b>



Volvo Construction  
Equipment  
1063910

Pos	Part	Q1	Q2	Q3	Q4	Q5	PS	Kit	Description	Option(s)	Remark
1	VOE11809122	1							Swivel		
2	VOE11809123	2							•Bushing		
3	VOE11809067	1							•Bushing		
4	VOE11809127	2							Pin		
5	VOE11803008	3							Washer		
6	VOE946441	4							Flange screw		
7	VOE11801241	1							Pin		
8	VOE11802345	1							Washer		
9	VOE11802344	1							Washer		
10	VOE11802241	1							Washer		
11	VOE11802240	1							Washer		
12	VOE907899	1							Split pin		
13	VOE11809148	2							Washer		
14	VOE11809147	1							Washer		
15	VOE984733	2							Flange screw		(VOE946440)

16	VOE983718	3							Lubricating nipple		
17	VOE11809079	1							Pin		
18	VOE997446	1							Hexagon screw		(VOE978932)
19	VOE15624273	1							Washer		
20	VOE15624271	1							Washer		
21	VOE11809073	1							Pin		
22	VOE11809072	1							Pin		
23	VOE11805481	1							Pin		
24	VOE943926	2							Lock brace		