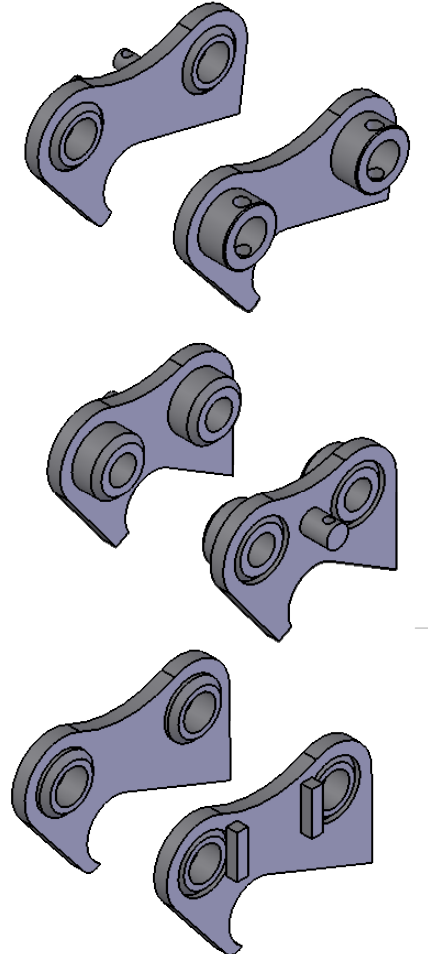


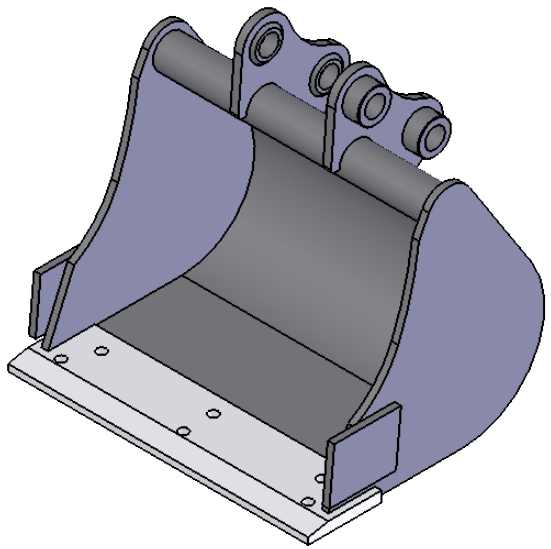
PIN RETENTION OPTIONS:
How do your bucket pins lock off?



- A. Dipper Gap
- B. Bucket Link Gap
- C. Pin Centres
- D. Dipper Pin Diameter
- E. Bucket Link Pin Diameter
- F. Boss Width (LH)
- G. Boss Width (RH)
- H. Locking Hole Centre

Provide AT LEAST dimensions A, B, C and D by fax or email to us:

1. Please supply all dimensions in mm.
2. Please also indicate pin retention type.
3. Provide dimensions "X" and "Y" where requested.



UNLESS OTHERWISE SPECIFIED:
DIMENSIONS ARE IN MILLIMETERS
SURFACE FINISH:
TOLERANCES:
LINEAR:
ANGULAR:

FINISH:

DEBUR AND
BREAK SHARP
EDGES

DO NOT SCALE DRAWING

REVISION



	NAME	SIGNATURE	DATE	TITLE:
DRAWN			06 July 2018 16:08:18	
CHK'D				
APPV'D				
MFG				
Q.A				
			MATERIAL:	
			WEIGHT:	

DWG NO.	Bucket Fit	A4
SCALE:1:10	SHEET 1 OF 1	