

OPTIONS CATALOGUE

VOLVO COMPACT EXCAVATORS

ECR58D, ECR88D

FOR INTERNAL USE ONLY

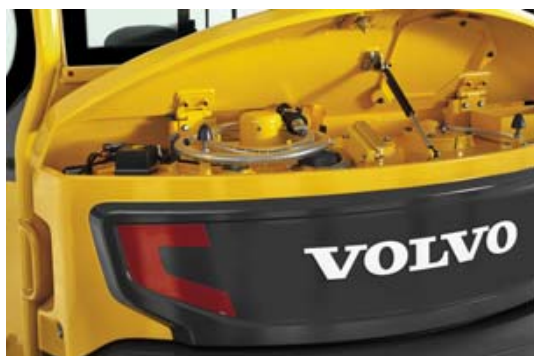


Engine	2
Fuel filler pump	2
Electricals	3
Extra work lights	3
Travel alarm	3
Anti theft, code-lock	3
Rotating beacon	3
CareTrack	4
Air compressor	4
Cab / Operator environment	5
Cabin type	5
Operator seat	5
Seatbelt	5
Control joystick	6
Climate control system	7
Audio	7
Mechanical hour meter	8
Sun screen, front/roof	8
FOG and FOPS	9
Safety net, front window	9
Rear view mirror	9
Undercarriage	10
Track chain	10
Dozer blade with floating	10
Booms and arms	11
Boom	11
Arm	11
Hydraulics	12
Breaker/Shear piping (X1)	12
Slope/Rotator piping (X3)	12
Quick coupler piping	12
Grapple maneuver piping	12
Hydraulic fluid	13
Pilot control pattern change	13
Boom cylinder pipe with hose rupture valve and overload sign	13
Arm cylinder pipe with hose rupture valve	14
Service and maintenance	15
Tool kit	15
Spare parts kit	15

2 Engine



Available for ECR58D



Available for ECR88D

Fuel filler pump

CE33001

An electric pump with a 35 liter per minute (9 gpm) flow features an automatic stop function that provides easy and clean filling of the diesel tank from the ground.



Available for ECR58D, ECR88D

Extra work lights

Extra work light, Boom	CE50003
Extra work light, Cab rear	CE50002

One right-hand side rear cab light and one left-hand side boom light are available as optional equipment.

- The extra lighting provides improved comfort and increased operating safety.



Available for ECR58D, ECR88D

Travel alarm

CE51001

The travel alarm is a safety device that warns bystanders when the machine is moving forward or in reverse. There is a shut-off button in keypad for long distance travel. In certain markets, a travel alarm is a legal requirement on excavators.

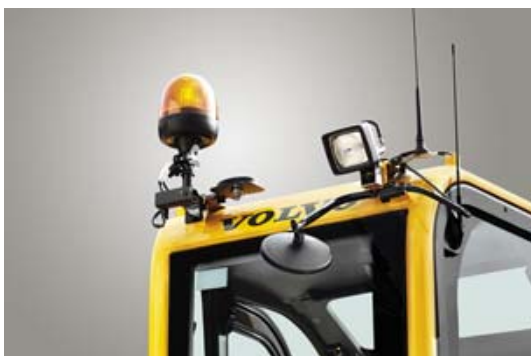


Available for ECR58D, ECR88D

Anti theft, code-lock

CE52001

A password must be keyed into through the keypad to start the machine. The code can be changed by I-ECU or VCADS Pro. The code must be re-entered after a certain length of machine shutdown time. This period of time can be adjusted using VCADS Pro.



Available for ECR58D, ECR88D

Rotating beacon

CE50004

The rotating beacon is a safety device mounted on the cab roof. It can easily be tilted to decrease the total transport height. There is a switch in the cab to turn the beacon on and off.

4 Electricals



Available for ECR58D, ECR88D

CareTrack

Caretrack GSM/GPS	CE85001
Caretrack Satellite	CE85002

Caretrack is the state-of-the-art telematics system designed for Volvo Construction Equipment.

Stay informed

Receive machine utilization reports and information such as fuel status, machine hours, and machine location.

Plan service more efficiently

Stay ahead of your machine problems and plan the service in advance.

Gain freedom and control

Stay updated without being logged on. CareTrack sends you urgent alarms and regular reports to your e-mail or mobile phone.

Reduce your downtime

Your Volvo dealer can help you troubleshoot problems without being on site and minimize the time for service.

Improve your productivity

Receive accurate documentary evidence of operators and shift performance for comparison and staff training.

Retain and increase your competitive edge

In some markets competitors are already installing these systems and receiving the benefits. In other markets there is no big competition, so you can take the advantage of being a pioneer in that market.

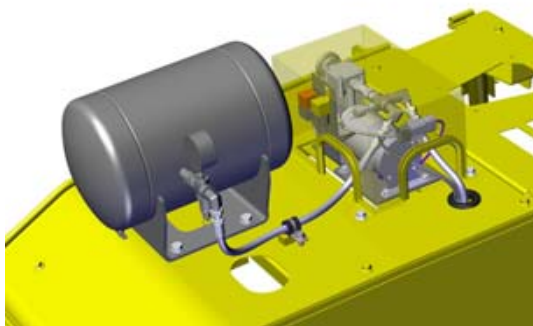
CareTrack may not be available in your market yet.

This option is available as an aftermarket option. For more information, please refer to the Customer Support section in m@sh.

Air compressor

CE53001

The air compressor includes a nozzle for cleaning inside the cab, which is especially useful in dusty working environments.



Available for ECR58D, ECR88D



Available for ECR58D, ECR88D

Cabin type

ECR58D, ECR88D	
Standard cab for Tier4	CE40021
Care cab for Tier4	CE40022
Canopy for Tier4	CE40023

ECR58D	
Standard cab for Tier3	CE40024
Care cab for Tier3	CE40025
Canopy for Tier3	CE40026

The Volvo ROPS/TOPS Cab, certified ISO 12117, 12117-2, features space, comfort, vibration and noise isolation, very well-placed ergonomic controls instruments, excellent all-round visibility with a larger glazed area and slim cab pillars for safety and an efficient heating / air conditioning system.



Available for ECR58D, ECR88D

Operator seat

Fabric seat, Mechanical suspended without heater	CE41006
Fabric seat, Mechanical suspended with heater	CE41005
PVC seat, Mechanical suspended without heater	CE41007

The seat can support the operator perfectly and adjusted in a wide range of positions (nine different adjustments). For optimum operator comfort, three seats are provided. Heating seat is new option.



Available for ECR58D, ECR88D

Seatbelt

Two inches retractable seatbelt	CE42002
Three inches retractable seatbelt	CE42003

The retractable seatbelt, both 2 inch and 3 inch, is designed for a snug fit. An indicator on the monitor (I-ECU) warns the operator when the seatbelt is not engaged is a new feature.

6 Cab / Operator environment



Available for ECR58D, ECR88D

Control joystick

Joystick without X3	CE47011
Joystick with proportional X3	CE47012

The joysticks provide effortless control of the machine.

The right-hand joystick is fitted with a push-button and a slide switch:

- The push-button controls the switch between boom offset control or bucket control using the right-hand side joystick.
- The slide switch handles X1 control.

The left-hand side joystick is fitted with a push-button to control the horn, and can be fitted as option with X3 proportional control slide switch.

For both X1 and X3, the slide switches allow the operator to adjust the direction of flow and the amount of oil sent to the attachment.



Climate control system

Heater only	CE44005
Climate control with air conditioning	CE44006

The cab is equipped with a powerful climate control system. The industry-leading air circulation and defrosting system speed up the heating or cooling of the cab using 7 vents for a regular, well-distributed air flow – 3 vents behind the operator, 3 vents at the front and by the windscreen for fast demisting, 1 vent at floor level.



Available for ECR58D, ECR88D



Available for ECR58D, ECR88D

Audio

Radio only	CE45014
Radio with CD and USB	CE45013

Optional audio system are available in two configurations: Radio only, or radio/CD/USB.

There is a remote keypad located within easy reach on the right console, allowing the operator to change the settings without leaning forward or turning around.

8 Cab / Operator environment



Available for ECR58D, ECR88D

Mechanical hour meter

CE45012

A mechanical hour meter, displaying the machine's total working hours, is positioned within the cab on the right hand-side console and can be seen from outside.



Available for ECR58D, ECR88D

Sun screen, front/roof

CE45015

The sun screens (sunblind) protect the operator from the sun's glare.



Available for ECR58D, ECR88D

FOG and FOPS

FOG, Cabin mounted	CE84001
FOPS	CE84004

Cab mounted FOG (Falling Object Guard) and FOPS (Falling Object Protection Structure) are recommended where there is a risk of falling objects from above or in front.

- The FOG is certified according to ISO 10262 and consists of FOPS and the front guard which is tiltable.
- The FOPS is certified according to ISO 3449 and is easy to install. The FOPS protection structure is bolted on top of the cab.

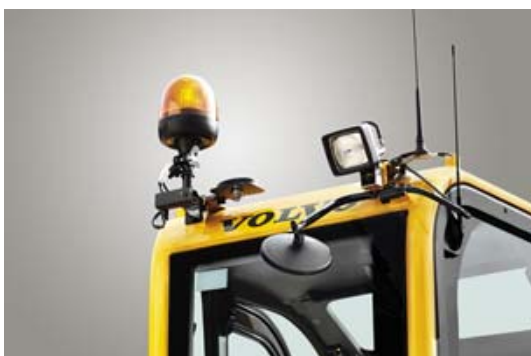


Available for ECR58D, ECR88D

Safety net, front window

CE84005

For protection of the front windshield with one-touch handle and the operator when using a hammer or crusher, a safety net is available as a option.



Available for ECR58D, ECR88D

Rear view mirror

CE45010

This option secures the hidden area behind counterweight through a mirror.

10 Undercarriage

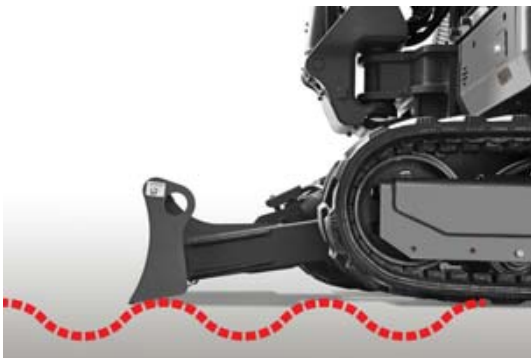


Available for ECR58D, ECR88D

Track chain

ECR58D	400 mm (16"), rubber track	CE21006
	380 mm (15"), steel track	CE21002
	500 mm (20"), steel track	CE21004
ECR88D	400 mm (16"), rubber pad	CE21008
	450 mm (18"), rubber track	CE21007
	450 mm (18"), steel track	CE21003
	600 mm (24"), steel track	CE21005
	450 mm (18"), rubber pad	CE21009

Many different shoe plates options are available according to the job site requirements.



Available for ECR58D, ECR88D

Dozer blade with floating

CE15023

The dozer blade float function enables operators to "float" the dozer blade over the ground.



Available for ECR58D, ECR88D

Boom

ECR58D	Mono boom 2.9 m (9'6")	CE12009
ECR88D	Mono boom 3.55 m (11'8")	CE12005

To achieve the best performance it is very important to select the correct length of boom and arm according to customer requirements.

Arm



Available for ECR58D, ECR88D

ECR58D	Standard arm 1.54 m (5'1")	CE13003
	Long arm 1.94 m (6'4")	CE13004
	Standard arm 1.54 m (5'1") with Thumb	CE13016
	Long arm 1.94 m (6'4") with Thumb	CE13017
ECR88D	Standard arm 1.7 m (5'7")	CE13005
	Long arm 2.1 m (6'11")	CE13007
	Standard arm 1.7 m (5'7") with Thumb	CE13018
	Long arm 2.1 m (6'11") with Thumb	CE13019

To achieve the best performance it is very important to select the correct length of boom and arm according to customer requirements.

12 Hydraulics



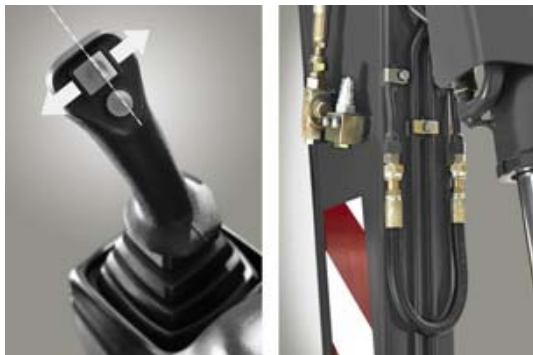
Available for ECR58D, ECR88D

Breaker/Shear piping (X1)

CE62015

Hydraulic options give Volvo excavators the versatility and flexibility needed on a variety of job sites. Options include hydraulic breaker/shear piping, one way function for breaker and double acting function for shears or crushers.

Flow table	ECR58D	ECR88D
X1 Breaker/Shear	max. flow: 70 lpm / 18 gpm, max. pressure: 26.5 Mpa / 3 840 psi	max. flow: 90 lpm / 24 gpm, max. pressure: 32.4 Mpa / 4 690 psi



Available for ECR58D, ECR88D

Slope/Rotator piping (X3)

CE63001

The optional X3 rotator is for additional attachments that require low flow and pressure.

Flow table	ECR58D	ECR88D
X3 Slope/Rotator	max. flow: 35 lpm / 9 gpm, max. pressure: 14.7 Mpa / 2 130 psi	max. flow: 35 lpm / 9 gpm, max. pressure: 14.7 Mpa / 2 130 psi



Available for ECR58D, ECR88D

Quick coupler piping

Single quick coupler piping	CE64001
Dual quick coupler piping	CE64002

This equipment makes it possible to operate a quick coupler easily. The hydraulic quick coupler is operated by a rocker switch with locker on the monitor (I-ECU).



Available for ECR58D, ECR88D

Grapple maneuver piping

CE61001

To use either the grapple or grab simply change the position of the bucket cylinder by turning the valve on arm.



Available for ECR58D, ECR88D

Hydraulic fluid

Hydraulic oil mineral VG32	CE60002
Hydraulic oil mineral VG46	CE60003
Hydraulic oil mineral VG68	CE60004
Hydraulic oil Bio VG46	CE60001
Longlife hydraulic oil mineral VG46	CE60006

Proper hydraulic oil is necessary to meet different climates and environmental conditions. (factory installation only).



Available for ECR58D, ECR88D

Pilot control pattern change

CE43001

This valve makes it possible to change oil flow direction to select joystick control patterns by moving the lever of the valve.



Available for ECR58D, ECR88D

Boom cylinder pipe with hose rupture valve and overload sign

CE66006

Hose rupture protection valves is available for the boom cylinders. This prevents boom from falling due to hose failures. These hose rupture valves satisfy legal requirements in certain markets. Overload warning pressure sensor is included for boom cylinder pipe with hose rupture valve option.

14 Hydraulics



Available for ECR58D, ECR88D

Arm cylinder pipe with hose rupture valve

ECR58D, ECR88D	Arm cylinder pipe with hose rupture valve (Base machine)	CE65005
----------------	--	----------------

Hose rupture protection valves is available for the arm cylinder. This prevents the arm from falling due to hose failures. These hose rupture valves satisfy legal requirements in certain markets.



Available for ECR58D, ECR88D

Tool kit

Tool kit, full scale	CE70003
Tool kit, daily maintenance	CE70002

A standard tool set is available with the tool box. A grease gun and an oil drain hose are provided as standard.



Available for ECR58D, ECR88D

Spare parts kit

ECR58D: Spare parts for Tier3 (Filter/Fuse/Etc)	CE70007
ECR58D, ECR88D: Spare parts for Tier4 (Filter/Fuse/Etc)	CE70008

The parts for maintenance can be supplied as a package (fuses and filters etc).

Index Alpha

A

Air compressor CE53001	4
Anti theft, code-lock CE52001	3
Arm	11
Arm cylinder pipe with hose rupture valve	14
Audio	7

B

Boom	11
Boom cylinder pipe with hose rupture valve and overload sign CE66006	13
Breaker/Shear piping (X1) CE62015	12

C

Cabin type	5
CareTrack	4
Climate control system	7
Control joystick	6

D

Dozer blade with floating CE15023	10
---	----

E

Extra work lights	3
-------------------------	---

F

FOG and FOPS	9
Fuel filler pump CE33001	2

G

Grapple maneuver piping CE61001	12
---------------------------------------	----

H

Hydraulic fluid	13
-----------------------	----

M

Mechanical hour meter CE45012	8
-------------------------------------	---

O

Operator seat	5
---------------------	---

P

Pilot control pattern change CE43001	13
--	----

Q

Quick coupler piping	12
----------------------------	----

R

Rear view mirror CE45010	9
Rotating beacon CE50004	3

S

Safety net, front window CE84005	9
Seatbelt	5
Slope/Rotator piping (X3) CE63001	12
Spare parts kit	15
Sun screen, front/roof CE45015	8

T

Tool kit	15
Track chain	10
Travel alarm CE51001	3

Index Salescodes

C

CE12005	11
CE12009	11
CE13003	11
CE13004	11
CE13005	11
CE13007	11
CE13016	11
CE13017	11
CE13018	11
CE13019	11
CE15023	10
CE21002	10
CE21003	10
CE21004	10
CE21005	10
CE21006	10
CE21007	10
CE21008	10
CE21009	10
CE33001	2
CE40021	5
CE40022	5
CE40023	5
CE40024	5
CE40025	5
CE40026	5
CE41005	5
CE41006	5
CE41007	5
CE42002	5
CE42003	5
CE43001	13
CE44005	7
CE44006	7
CE45010	9
CE45012	8
CE45013	7
CE45014	7
CE45015	8
CE47011	6
CE47012	6
CE50002	3
CE50003	3
CE50004	3
CE51001	3
CE52001	3
CE53001	4
CE60001	13
CE60002	13
CE60003	13
CE60004	13
CE60006	13
CE61001	12
CE62015	12
CE63001	12
CE64001	12
CE64002	12
CE65005	14
CE66006	13
CE70002	15
CE70003	15
CE70007	15
CE70008	15
CE84001	9
CE84004	9
CE84005	9
CE85001	4
CE85002	4

VOLVO CONSTRUCTION EQUIPMENT

FOR INTERNAL USE ONLY

Not all products are available in all markets. Under our policy of continuous improvement, we reserve the right to change specifications and design without prior notice. The illustrations do not necessarily show the standard version of the machine.

VOLVO

Volvo Construction Equipment
www.volvoce.com

2013.06
Volvo, Global Marketing

English-21
CEX